

X10353

HALF WAVE VIBRATOR CONTROLLER | SINGLE PHASE



OVDC5 - Overvoltage Controller

110V



CONTACT US:

☎ 0044 (0) 1704-516 501

✉ enquiries@united-automation.com

🌐 www.united-automation.com

KEY FEATURES:

- ✓ Solid state reliability.
- ✓ Epoxy Encapsulated
- ✓ Simple wiring.
- ✓ Rugged and compact
- ✓ Energy Saving.

APPLICATIONS:

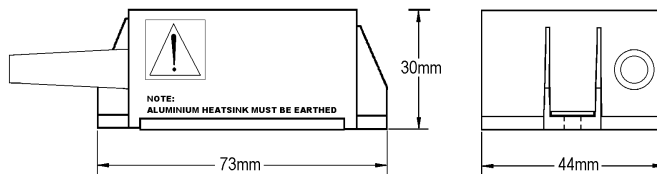
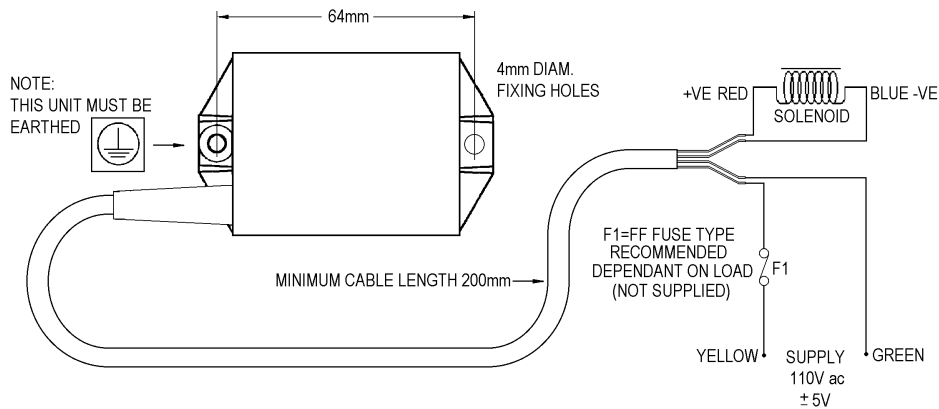
- Linear magnetic coils
- Rotary magnetic coils
- Magnetic door locks
- Solenoid valves
- Actuators

This **Overvoltage Controller** provides a high initial output voltage giving a high torque at switch on. The output voltage reduces after a preset time giving a lower hold voltage, this ensures that the solenoid operates at a lower overall working temperature.

TECHNICAL SPECIFICATIONS

Supply Voltage	110V AC ±5V @ 50/60Hz
Max Stroke Voltage	101V DC
Max Stroke Current	4.8A
Max Hold Voltage	24V DC
Max Hold Current	1.1A
PWM Frequency	200Hz
Fixing Hole Centres	64mm
Fixing Hole Diameter	4mm
Unit Operating Temperature Range	0–65°C
Max Ambient Temperature	35°C

INSTALLATION



USE HEATSINK COMPOUND FOR EFFECTIVE THERMAL COUPLING
WARNING LIVE TERMINALS
 SWITCH OFF MAINS SUPPLY BEFORE COMMENCING ANY SERVICE WORK

YOU MUST READ THIS BEFORE INSTALLATION

<p>⚠ ELECTRICAL SAFETY</p> <p>WARNING: RISK OF ELECTRIC SHOCK Always consult the Installation & Maintenance Instructions before connecting this product to the power supply.</p> <p>WARNING: Disconnect Power Before Servicing Ensure the electrical supply is safely disconnected before connecting to any supply, load, or control terminals.</p>	<p>🔧 INSTALLATION REQUIREMENTS</p> <p>WARNING: Installation by Qualified Personnel Only This product must only be installed or fitted by a competent, qualified installer familiar with the relevant electrical standards and installation practices.</p>	<p>🚫 USER RESTRICTIONS</p> <p>WARNING: Not for Use by Vulnerable Individuals This product is not intended for use by persons (including children) with reduced physical, sensory or mental capabilities, or lack of experience and knowledge, unless they are supervised or instructed by a person responsible for their safety.</p>	<p>🏭 USAGE ENVIRONMENT</p> <p>WARNING: Industrial Use Only This is an industrial-grade product and is not intended for household use.</p>	<p>🔥 HOT SURFACE WARNING</p> <p>WARNING: Hot Surfaces On certain models, surfaces marked with this symbol become hot during use. Avoid direct contact and follow all thermal safety precautions.</p>
--	---	--	---	--

OVDC5 - Overvoltage Controller

110V

COOLING REQUIREMENTS



THIS UNIT SHOULD BE FASTENED TO A HEATSINK RATED AT 4° C/W
 EXAMPLE HEATSINK 100 X 100 X 3mm ALUMINIUM
 HEATSINK COMPOUND SHOULD BE USED TO FOR EFFECTIVE
 THERMAL COUPLING

FUNCTION

AC supply to this controller is initially full wave rectified for a fixed period of approximately 5 seconds. Thus supplying full DC output voltage for the initial stroke of the solenoid. After this period the output voltage to the solenoid is reduced to the continuous hold voltage for as long as the input AC supply is present

RECOMMENDATIONS

FUSING

It is recommended to use semiconductor (fast acting) type fuses or circuit breakers (Semiconductor - MCB) for unit protection. On initial 'switch on' some loads may need an increased factor of safety (F of S) for unit and/or device protection. (See SRA Datasheet for further information).

CE MARKING

This product family carries a "CE" marking. These burst firing type controllers do not require a filter. For information see recommendation section and contact our sales desk. See the Declaration of Conformity.

DOCUMENTS

Other documents available on request, which may be appropriate for your application:

Code	Identity	Description
X10229	RFI	Filtering Recommendations: Addressing the EMC Directive
X10213	ITA	Interaction: Uses for phase angle and for burst fire control
X10255	SRA	Safety Requirements: Addressing the Low Voltage Directive (LVD) including, Thermal Data/Cooling, Live Parts Warning, Earthing Requirements and Fusing Recommendations
P01.1	COS	UAL Conditions of Sale

It is recommended that installation and maintenance of this equipment should be done with reference to the current edition of the I.E.T. regulations (BS7671) by suitably qualified/trained personnel. The regulations contain important requirements regarding the safety of electrical equipment. For International standards refer STANDARDS on D of C.

PRODUCT CODE AND RELATED PRODUCT CODE

Product Code	Product Description
A84012	OVDC5, 110V



BMF House - Wight Moss Way,
 Southport Business Park
 Southport PR8 4HQ
 ENGLAND, UNITED KINGDOM



unitedautomationltd UA_Limited

Contact Us:

☎ 0044 (0) 1704-516 501
 ✉ enquiries@united-automation.com
 🌐 www.united-automation.com

