

X10208

Variable AC Voltage Regulators | Stand Alone Power Controller



AVR - 25A

25A, 110V / 230V

Variable Phase Angle AC Regulator

CONTACT US:

☎ 0044 (0) 1704-516 501

✉ enquiries@united-automation.com

🌐 www.united-automation.com



KEY FEATURES:

- ✓ **Integrated High-Speed Fuse:** Provides immediate protection against overcurrent.
- ✓ **Built-In Heatsink:** Ensures efficient cooling and prolonged operation in high-temperature environments.
- ✓ **High In-Rush Capability:** Handles large current surges without compromising performance.
- ✓ **Single-Entry Cable Gland:** Simplifies wiring and installation.
- ✓ **Control Knob and Dial Supplied:** Allows for easy manual adjustment and precise control.

This fully-variable, powerful, phase-angle regulator is a robust, compact, and enclosed unit designed for direct or transformer-coupled single-phase loads. Featuring a high-current TRIAC, integrated fuse terminals, and all main components mounted on an integral heatsink, this regulator ensures long life and reliable operation even in high ambient temperatures. The large TRIAC enables the unit to handle high in-rush currents with ample safety margin, making it ideal for industrial installations.

Ensure your industrial and commercial electrical systems operate smoothly with this reliable, high-performance phase-angle regulator. Perfect for a wide range of applications, this unit offers robust protection and easy manual control for optimal performance.

TECHNICAL SPECIFICATIONS

Mains Voltage	110 or 230V AC ± 10% @ 50/60Hz
Min. load current	200mA
Max. rms current	25A
Man control	220kΩ potentiometer
Peak one cycle surge	250A
Heatsink	1.3°C/W
Max. operating temp	65°C
Replacement fuse	30A 660V SCR type
Isolation Classification	Class II
Isolation voltage	2500V rms
I 2 t for SCR fusing	250A ² s
Off-state dv/dt	500V/μs
Storage temp.	-20°C to +85°C
Max. cable entry	2.5mm ²
Min. level set	0-50% Via cermet

APPLICATIONS:

Ideal for a diverse range of applications, including:

- Ovens
- Quartz lamps and heat lamps.
- Moulding machines.
- Dryers.
- Inductive loads such as transformers and motors.

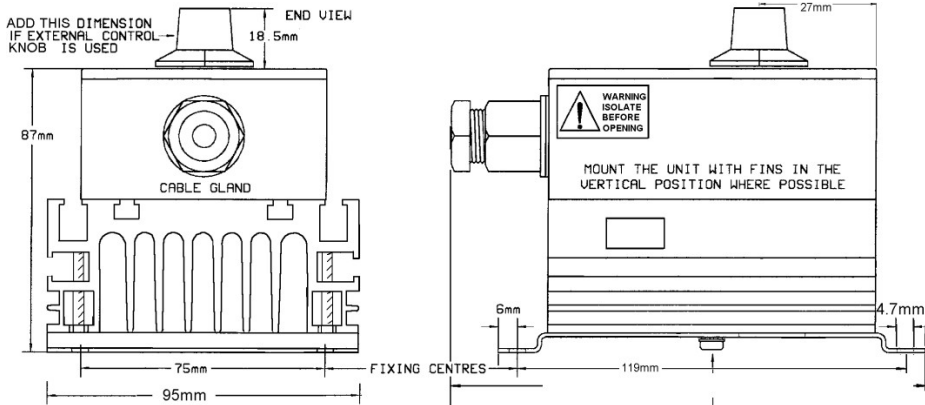
YOU MUST READ THIS BEFORE INSTALLATION

<p>⚡ ELECTRICAL SAFETY</p> <p>WARNING: RISK OF ELECTRIC SHOCK Always consult the Installation & Maintenance Instructions before connecting this product to the power supply.</p> <p>WARNING: Disconnect Power Before Servicing Ensure the electrical supply is safely disconnected before connecting to any supply, load, or control terminals.</p>	<p>🔧 INSTALLATION REQUIREMENTS</p> <p>WARNING: Installation by Qualified Personnel Only This product must only be installed or fitted by a competent, qualified installer familiar with the relevant electrical standards and installation practices.</p>	<p>🚫 USER RESTRICTIONS</p> <p>WARNING: Not for Use by Vulnerable Individuals This product is not intended for use by persons (including children) with reduced physical, sensory or mental capabilities, or lack of experience and knowledge, unless they are supervised or instructed by a person responsible for their safety.</p>	<p>🏭 USAGE ENVIRONMENT</p> <p>WARNING: Industrial Use Only This is an industrial-grade product and is not intended for household use.</p>	<p>🔥 HOT SURFACE WARNING</p> <p>WARNING: Hot Surfaces On certain models, surfaces marked with this symbol become hot during use. Avoid direct contact and follow all thermal safety precautions.</p>
--	---	--	---	--

AVR - 25A

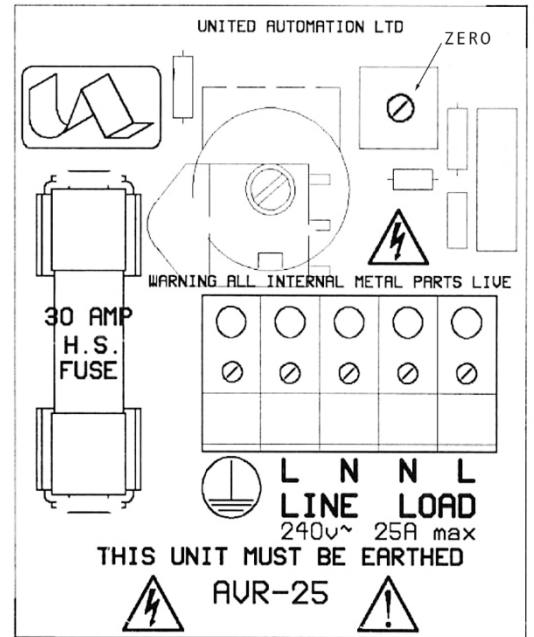
25A, 110V / 230V | Variable Phase Angle AC Regulator

INSTALLATION - DIMENSIONS & CONNECTIONS



FOR OPTIMUM PERFORMANCE AND HEAT DISSIPATION, THE UNIT SHOULD BE MOUNTED VERTICALLY

WARNING
SWITCH OFF MAINS BEFORE COMMENCING ANY SERVICE WORK



RECOMMENDATIONS

FUSING

It is recommended to use semiconductor (fast acting) type fuses or circuit breakers (Semiconductor - MCB) for unit protection. On initial switch on some loads may need an increased Factor of Safety (F of S) for unit and/or device protection. See SRA datasheet for information.

DOCUMENTS

Other documents available on request, which may be appropriate for your application:

Code	Identity	Description
X10229	RFI	Filter recommendations: Addressing the EMC Directive
X10213	ITA	Interaction: Uses for phase angle and for burst fire control
X10255	SRA	Safety Requirements: Addressing the Low Voltage Directive (LVD) including, Thermal Data/Cooling, Live Parts Warning, Earthing Requirements and Fusing Recommendations

It is recommended that installation and maintenance of this equipment should be done with reference to the current edition of the I.E.T. regulations (BS7671) by suitably qualified/trained personnel. The regulations contain important requirements regarding the safety of electrical equipment. For International standards refer STANDARDS on D of C.

OPTIONAL EXTRAS

Product Code	Product Description
A-EN2010-30-S*	30A 10 series EMI Single phase Chassis Mount filter

*Note: When ordering a filter, the current at which the AVR is to be used at will be required.

PRODUCT CODE AND RELATED PRODUCT CODE

Product Code	Product Description
A15101	AVR 25A 110V Phase Angle AC Regulator
A15201	AVR 25A 230V Phase Angle AC Regulator



BMF House - Wight Moss Way,
Southport Business Park
Southport PR8 4HQ
ENGLAND, UNITED KINGDOM

Contact Us:

☎ 0044 (0) 1704-516 501
✉ enquiries@united-automation.com
🌐 www.united-automation.com

united automation unitedautomationltd UA_Limited

