

X10728

Infrared Heating | Sensors



Infresco PIR Movement Sensor

Motion Detector 220° - 3LV COMPACT



CONTACT US:

☎ 0044 (0) 1704-516 501

✉ enquiries@united-automation.com

🌐 www.united-automation.com

KEY FEATURES:

- ✓ **Advanced Infrared Technology:** Detects movements within a 220° angle and up to 12 meters away.
- ✓ **Customisable Settings:** Adjust response sensitivity (3-2000 lux) and switch-on time (10 seconds to 15 minutes).
- ✓ **Versatile Compatibility:** Supports 12-24V AC/DC voltage for switching various devices up to 5A.
- ✓ **Weather-Resistant:** IP44 rating for reliable outdoor use, protecting against water and dust.
- ✓ **Simple Installation:** Includes corner mounting brackets and necessary installation materials.

The **Infresco PIR Movement Sensor -Motion Detector 3LV COMPACT** is an advanced, reliable motion sensor designed for both indoor and outdoor use. Utilising passive infrared (PIR) technology, it effectively detects heat source movements, ensuring enhanced security and automatic lighting control. The built-in photodiode prevents unnecessary operation during daylight, optimising energy efficiency.

With a wide 220° detection angle and a range of up to 12 meters, the Motion Detector 3LV COMPACT provides comprehensive coverage for monitoring large areas. Its adjustable settings allow you to customise the response sensitivity between 3 to 2000 lux and set the switch-on time from 10 seconds to 15 minutes. Designed for easy installation, it features 3-wire technology and is suitable for wall and corner mounting.

Operating on 12-24V AC/DC, this motion detector can control a variety of devices, including lights and appliances, with a switching capacity of up to 5A. The IP44 rating ensures durability and water resistance, making it perfect for outdoor environments such as house walls, garages, gardens, and cellars.

Upgrade your security and lighting control with the **Motion Detector 3LV COMPACT**—a dependable solution for automatic operation and enhanced energy efficiency.

TECHNICAL SPECIFICATIONS

Power	12 - 24 V / AC/DC
Switching voltage	0 - 240 V AC/DC
Sensitivity	< 3 - 2000 LUX (adjustable)
Response time	Min. 10 seconds ± 3 seconds Max. 15 minutes ± 2 minutes
Switching capacity	Max.5A
Detection angle	220°, 2 sensors
Detection distance	12 m max. (< 24° C)
Working temperature	-20 ~ +40°C
Max. humidity	< 93 % RH
Energy consumption	ca. 0,5 W
Installation height	1,8 - 2,5 m
Protection IP44	Also for outdoor use
Item Weight	140 g

APPLICATIONS:

- **Outdoor Security:** Ideal for monitoring entrance areas, gardens, garages, and more.
- **Automatic Lighting:** Provides hands-free lighting in hallways, driveways, and other areas.
- **Energy Efficiency:** Automatically turns off lights and devices when no movement is detected, saving energy.



BMF House - Wight Moss Way,
Southport Business Park
Southport PR8 4HQ
ENGLAND

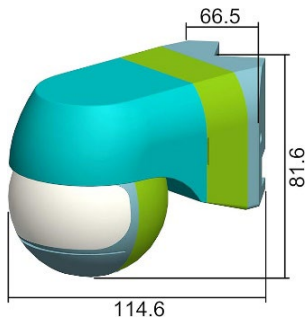
united automation [unitedautomation.com](https://www.unitedautomation.com) UA_Limited



Infresco PIR Movement Sensor

Motion Detector 220° - 3LV COMPACT

DIMENSIONS & FUNCTIONAL DESCRIPTION:



1. Swivel & Turnable
2. Motion Sensor
3. Lighting time
4. Sensitivity to light

INSTALLATION

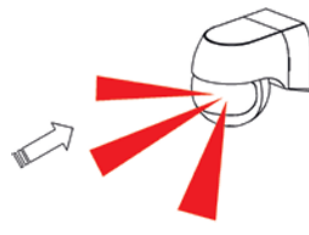
Safety Instructions:

Professional Installation Required: Installation must be performed by trained professionals in accordance with all applicable regulations. Always consult an authorised electrical contractor.

An arrangement of the motion detector laterally to the walking direction is preferable so that several sectors are crossed.



good sensitivity



poor sensitivity



detection range

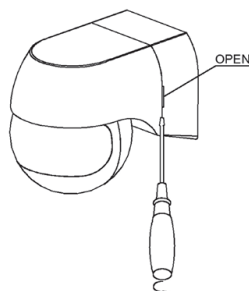
CONNECTION:



- Warning:**
Risk of electric shock
- Switch off power
 - Secure against reconnection
 - Ensure there is no voltage

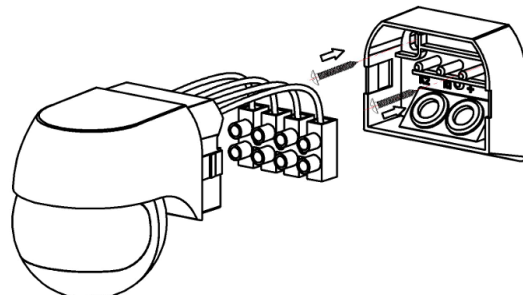
1. Loosen the screw below the motion detector

(1)



2. Plug the cable into the back of the motion detector. Attach the bottom part to the wall

(2)

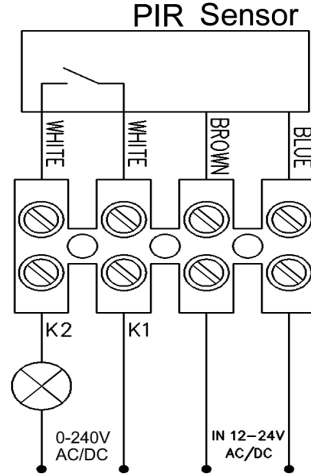


BMF House - Wight Moss Way,
Southport Business Park
Southport PR8 4HQ
ENGLAND

Infresco PIR Movement Sensor

Motion Detector 220° - 3LV COMPACT

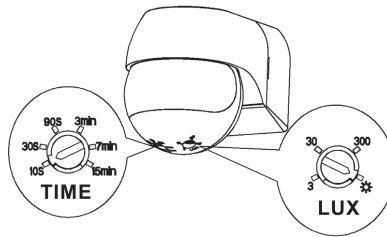
3. Connect the motion detector according to diagram



If you connect the lamp to 12 or 24 V, please make a bridge from K1 to the brown cable.

TEST

- Rotate the TIME button to minimum 10s and rotate the LUX button to SUN.



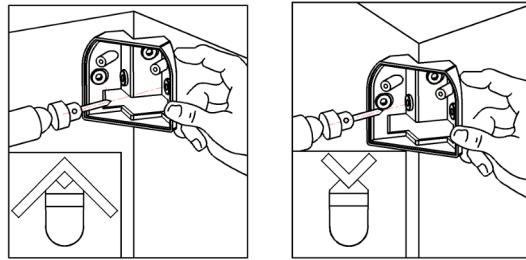
- Turn on the power again. The connected light illuminates. Wait until the light turns off (ca. 10 ± 3 second.).
- Pace the sector. When leaving the sector of the MD, it switches off delayed and switches on again when entering.
- Adjust the MD and set the desired switch-on time with TIME.
- Then set LUX the desired brightness for switching on the MD.

Attention: If you are testing the motion detector in daylight, make sure that the LUX button is on SUN.

ADDITIONAL INFORMATION:

Infresco PIR Movement Sensor

Motion Detector 220° - 3LV COMPACT



RECOMMENDATION

DOCUMENTS

Other documents, which may be appropriate for your applications, are available on request.

Code	Identity	Description
P01.1	COS	UAL Conditions of Sale

NOTE: It is recommended that installation and maintenance of this equipment should be carried out by suitably qualified personnel, with reference to the current edition of the I.E.T. Wiring Regulations BS7671. The regulations contain important requirements regarding the safety of electrical equipment.

OPTIONAL EXTRAS

Product Code	Product Description
A86393	Infresco 4kW Remote Variable Controller
A86394	Infresco 4kW Manual Variable Controller
A86395	Infresco Remote 6kW Variable Controller
A86396	Infresco Manual 6kW Variable Controller

PRODUCT CODE AND RELATED PRODUCT CODE

Product Code	Product Description
A26051	Infresco PIR Movement Sensor