

X20115

Infrared Heating | Heater Controller



Infresco S 4kW Controller

4000W, 240v

Remote switch soft start



CONTACT US:

☎ 0044 (0) 1704-516 501

✉ enquiries@united-automation.com

🌐 www.united-automation.com

KEY FEATURES:

- ✓ **Extends Lamp Life:** Reduces inrush current, prolonging the lifespan of your lamps.
- ✓ **High Capacity:** Capable of controlling up to 2 x 2kW lamps.
- ✓ **Soft-Start Function:** Smoothly powers up lamps to avoid electrical surges.
- ✓ **Zero-Voltage Switch-Off:** Ensures efficient power management and safety.
- ✓ **Cost-Effective:** Offers advanced control at a low cost.
- ✓ **User-Friendly Installation:** Designed for quick and easy setup.
- ✓ **LED Indicators:**
 - 🔵 Blue LED = 'Power On'
 - 🔴 Red LED = 'Heater On'

The Infresco-S 4kW is a versatile and efficient controller designed to maximize energy savings when used with quartz infrared halogen lamps or other heating and lighting products. Engineered with a microcontroller-based system, the Infresco-S 4kW incorporates advanced features like zero-voltage switching and a soft-start function, significantly reducing the high inrush current that typically occurs when lamps are switched on. This innovative approach can extend lamp life by up to 30%. Simple to install and low-maintenance, this controller is an ideal solution for a variety of applications.

The Infresco-S 4kW controller is an essential tool for anyone looking to optimize their heating and lighting systems. Its advanced features, easy installation, and energy-saving capabilities make it a smart choice for both residential and commercial applications. Enjoy extended lamp life, reduced energy costs, and enhanced comfort with the Infresco-S 4kW controller.

TECHNICAL SPECIFICATIONS

Supply Voltage	230V AC ±10% 50/60Hz
Switching Capacity	4kW Max.
Current Consumption (control circuit)	50mA
Terminals	2.5mm ² Rising Clamp
Operating Temperature	-20°C to 40°C
Protection Rating	IP65
Gland Diameter	Max Cable Entry 2.5mm ²
Enclosure Dimensions (W x L x H) (mm)	120 x 112 x 50

APPLICATIONS:

The Infresco-S 4kW controller is perfect for a wide range of settings, including:

- **Patio Areas:** Provides efficient outdoor heating for comfortable gatherings.
- **Smoking Shelters:** Ensures a warm environment for designated smoking areas.
- **Restaurants:** Enhances customer comfort in outdoor dining spaces.
- **Warehouses:** Maintains optimal temperature control in large industrial areas.
- **Workshops:** Ideal for heating workspaces while conserving energy.
- **Garden Lighting:** Efficiently controls garden and landscape lighting.



BMF House - Wight Moss Way,
Southport Business Park
Southport PR8 4HQ
ENGLAND

united automation unitedautomationltd UA_Limited



Infresco S 4kW Controller

4000W, 240v

Remote switch soft start

INSTALLATION

IMPORTANT: Carefully read the following instructions before installing the unit.

Mounting the Unit

1. Secure the Infresco-S 4kW using the four mounting holes accessible from the front of the unit.
2. Remove the lid to access these mounting holes.
3. To facilitate installation, use the provided mounting template on the next page to locate all four mounting hole centres.

IMPORTANT: Position the unit with the cable glands facing down.

Wiring

1. **Safety Warning:** Ensure all earth wires are connected to maintain earth continuity to the lamp fittings. Isolate the mains supply before wiring this unit.
2. The unit is fitted with two cable glands. Only one cable should be fitted per gland to maintain the unit's IP rating. When fitting two lamps, refer to the wiring diagram for an alternative wiring configuration using a junction box.
3. **Mains Supply Connection:**
 - Connect the supply **LIVE** to the 'L' terminal.
 - Connect the supply **NEUTRAL** to the 'N' terminal.
 - Connect the supply **EARTH** to the 'E' terminal.
4. **Lamp Connection:**
 - Connect the load **LIVE** to the 'L' terminal.
 - Connect the load **NEUTRAL** to the 'N' terminal.
 - Connect the load **EARTH** to the 'E' terminal.

If two lamps are to be fitted, they must be wired in parallel.

5. Check all wiring, particularly the line and load connections, and ensure the cable glands are tightened.

Fusing

1. It is recommended to use fast-acting semiconductor-type fusing (or MCB) in line with the LIVE supply for device and circuit protection.
2. Refer to the SRA Datasheet **X10255** for further information on fusing requirements.

By following these steps carefully, you can ensure the safe and efficient installation of your Infresco-S 4kW controller.



BMF House - Wight Moss Way,
Southport Business Park
Southport PR8 4HQ
ENGLAND

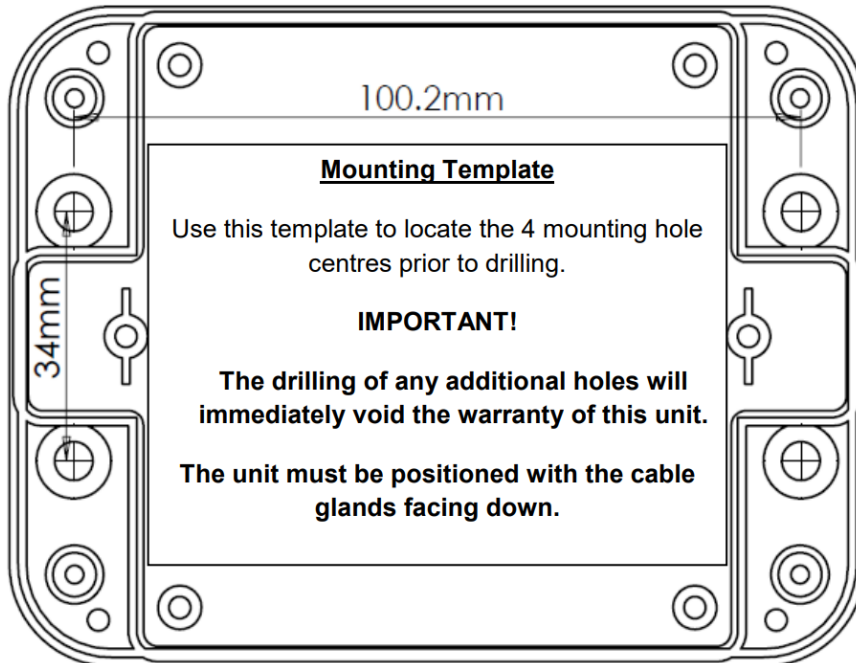


Infresco S 4kW Controller

4000W, 240v

Remote switch soft start

MOUNTING TEMPLATE



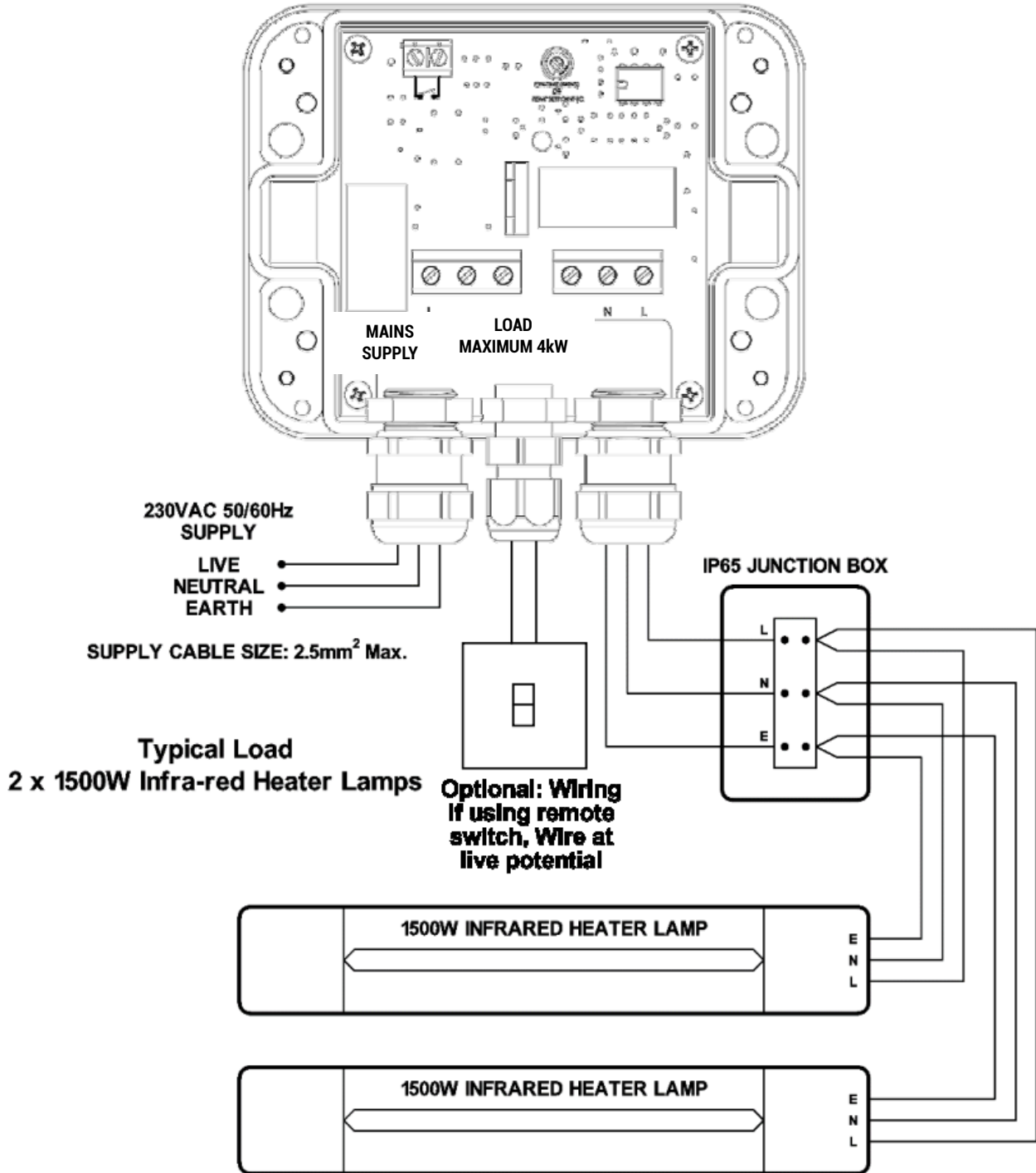
Infresco S 4kW Controller

4000W, 240v

Remote switch soft start

WIRING DIAGRAM

Link Must be fitted
to Enable Unit



Infresco S 4kW Controller

4000W, 240v

Remote switch soft start

ADDITIONAL INFORMATION

When using a remote switch, it is important that an additional cable gland (not supplied) is used to ensure the IP rating is maintained.

The rear of the enclosure contains the PCB; this will need to be removed before attempting to fit the additional cable gland. Remove the four fixing screws and remove the PCB. The 'knock-out' can then be removed and the additional gland fitted as shown above. This should be done very carefully - ensure the gland is tightened up using a spanner. Refit the PCB and secure with the screws.

Remove the link that is fitted into the INPUT/COM terminals and wire in the switch wires.

Once the additional gland has been fitted the units should be mounted as shown above.

This is the only time the unit should be mounted in this way. If the additional switch is not being used, then the unit must be fitted with the gland facing down. Once the unit is wired, the lid should be refitted as shown.

CE MARKING

This product family carries a "CE" marking. For more information see the **RECOMMENDATIONS** section and contact our sales desk. A Declaration of Conformity is available on request.

RECOMMENDATION

DOCUMENTS

Other documents, which may be appropriate for your applications, are available on request.

Code	Identity	Description
X10255	SRA	Safety requirements: Addressing the Low Voltage Directive (LVD) including Thermal Data/Cooling, Live parts warning, Earthing requirements and fusing recommendations
P01.1	COS	UAL Conditions of Sale

NOTE: It is recommended that installation and maintenance of this equipment should be carried out by suitably qualified personnel, with reference to the current edition of the I.E.T. Wiring Regulations BS7671. The regulations contain important requirements regarding the safety of electrical equipment.

OPTIONAL EXTRAS

Product Code	Product Description
A-HL-E72C-1	Wall Mounted Patio Heater 1.5kW (no remote)

PRODUCT CODE AND RELATED PRODUCT CODE

Product Code	Product Description
A86603	Infresco S 4kW Controller - Remote switch soft start



BMF House - Wight Moss Way,
Southport Business Park
Southport PR8 4HQ
ENGLAND

unitedautomationltd UA_Limited



20 August 2024 | Issue: 4

Page 5 of 5