

X20106

Infrared Heating | Heater Controller



Infresco T 4kW Controller (Capacitive Touch)

4000W, 240v

Efficient Energy-Saving Solution for Heating and Lighting



CONTACT US:

☎ 0044 (0) 1704-516 501

✉ enquiries@united-automation.com

🌐 www.united-automation.com

KEY FEATURES:

- ✓ **Capacitive Touch Interface:** Control your heating system with just one touch.
- ✓ **Energy Saving:** Activates heat for a pre-determined time period, reducing energy waste.
- ✓ **Extended Lamp Life:** Soft-start function increases lamp longevity by up to 30%.
- ✓ **Zero-Voltage Switching:** Ensures smooth operation and protection for connected devices.
- ✓ **Low-Cost:** Economical solution for efficient heating.
- ✓ **Easy Installation:** Simple setup process with minimal maintenance required.
- ✓ **LED Indicators:**
 - 🔵 Blue LED = 'Power On'
 - 🔴 Red LED = 'Heater On'

The Infresco T (Capacitive Touch) 4kW controller is a cutting-edge solution designed to optimize energy usage for Quartz Infrared Halogen Lamps and other heating and lighting products. Featuring a capacitive touch interface, the Infresco T allows you to control your heating system with just one touch, providing convenience and efficiency.

This microcontroller-based unit activates lamps for a user-defined period ranging from **1 to 40 minutes**, delivering efficient and targeted heating. It incorporates zero-voltage switching and a soft-start function to minimize the initial high inrush current, potentially extending lamp life by up to 30%. Simple to install and virtually maintenance-free, the Infresco T is an ideal choice for both commercial and residential settings.

Enhance your outdoor and indoor spaces with the Infresco T (Capacitive Touch) 4kW controller, combining energy efficiency, ease of use, and reliable performance for a wide range of applications.

TECHNICAL SPECIFICATIONS

Supply Voltage	230VAC +/- 10% 50/60Hz
Switching Capacity	4kW Max.
Lamp On-Time	1 to 60 Minutes
Current Consumption (control circuit)	50mA
Terminals	2.5mm ² Rising Clamp
Operating Temperature	-20 to 40°C
Protection Rating	IP65
Gland Diameter	Max Cable Entry 2.5mm ²
Enclosure Dimensions (mm) (W x L x H)	120 x 90 x 50

APPLICATIONS:

- **Patio Areas:** Perfect for outdoor seating and dining spaces.
- **Smoking Shelters:** Provides comfortable heating in designated smoking areas.
- **Restaurants:** Enhances the dining experience with efficient heating.
- **Warehouses:** Suitable for spot heating in large spaces.
- **Workshops:** Keeps work areas warm and well-lit.
- **Garden Lighting:** Ideal for illuminating and heating outdoor gardens.



BMF House - Wight Moss Way,
Southport Business Park
Southport PR8 4HQ
ENGLAND

united automation [unitedautomation.com](https://www.unitedautomation.com) UA_Limited



Infresco T 4kW Controller (Capacitive Touch)

4000W, 240v

Efficient Energy-Saving Solution for Heating and Lighting

INSTALLATION

Important: Please read the following instructions carefully before installing the unit.

Mounting the Unit:

- Secure the Infresco-T 4kW controller using the four mounting holes accessible from the front of the unit.
- To access these mounting holes, remove the lid of the unit.
- A mounting template is provided on the next page to help you locate the centres of the four mounting holes for precise installation.

Orientation:

- Ensure that the unit is oriented with the cable glands facing downward. This orientation is crucial for the proper operation and protection of the unit.

By following these guidelines, you will ensure a secure and effective installation of your Infresco-T (Capacitive Touch) 4kW controller.

Wiring:

It is recommended that installation and maintenance of this equipment should be done with reference to the current edition of the I.E.E. wiring regulations (BS7671) by suitably qualified/trained personnel. These regulations contain important requirements regarding safety of electrical equipment (for International Standards refer to I.E.C/ directive IEC950).

Warning! Isolate the mains supply before commencing any work on this unit. Ensure all earth wires are connected to maintain earth continuity to the lamp fittings.

1. The unit is fitted with two cable glands. Only one cable should be fitted per gland to maintain the unit's IP rating. When fitting two lamps, refer to the wiring diagram for an alternative wiring configuration using a junction box.
2. **Mains Supply Connection:**
 - Connect the supply **LIVE** to the 'L' terminal.
 - Connect the supply **NEUTRAL** to the 'N' terminal.
 - Connect the supply **EARTH** to the 'E' terminal.
3. **Lamp Connection:**
 - Connect the load **LIVE** to the 'L' terminal.
 - Connect the load **NEUTRAL** to the 'N' terminal.
 - Connect the load **EARTH** to the 'E' terminal.

If two lamps are to be fitted, they must be wired in parallel.

4. Check all wiring, particularly the line and load connections, and ensure the cable glands are tightened.



BMF House - Wight Moss Way,
Southport Business Park
Southport PR8 4HQ
ENGLAND



Infresco T 4kW Controller (Capacitive Touch)

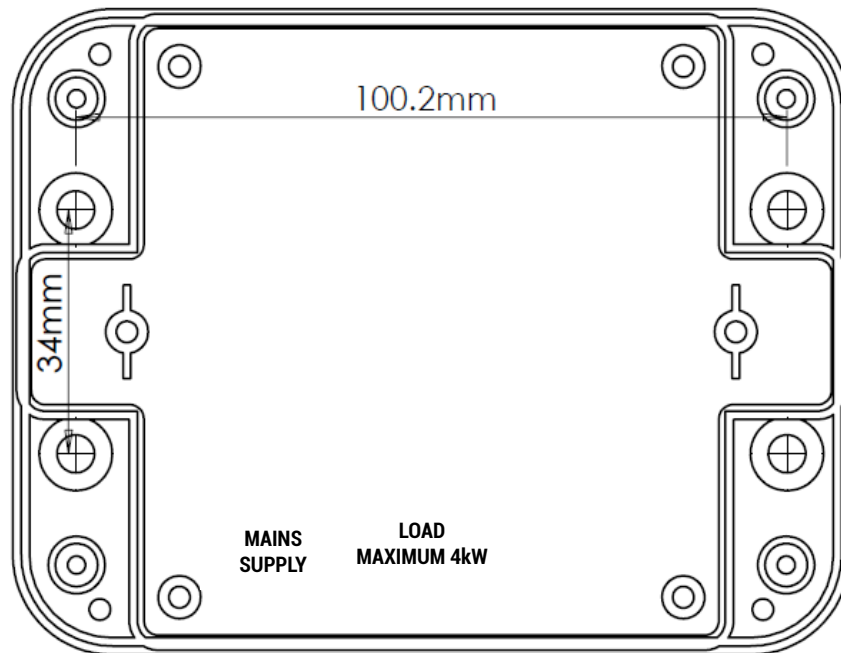
4000W, 240v

Efficient Energy-Saving Solution for Heating and Lighting

Commissioning:

- Set the on-time pre-set (VR1) to a time period of between **1 and 40 minutes**. VR1 is located at the top of the printed circuit board as shown above.
- Replace the lid and switch on the mains supply to the unit.
- Press the push-button on the front of the unit to switch the lamps on.

MOUNTING TEMPLATE

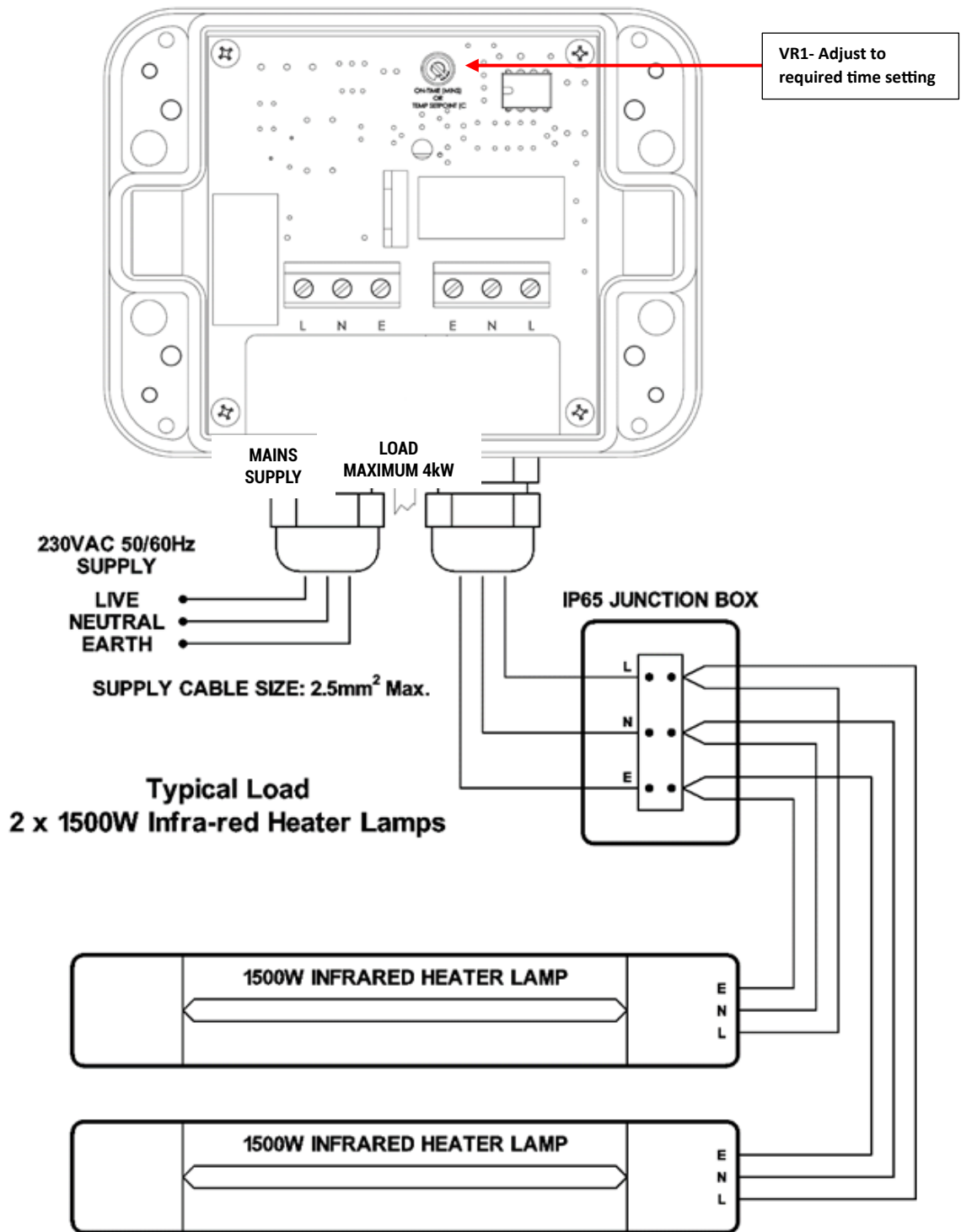


Infresco T 4kW Controller (Capacitive Touch)

4000W, 240v

Efficient Energy-Saving Solution for Heating and Lighting

WIRING DIAGRAM



Infresco T 4kW Controller (Capacitive Touch)

4000W, 240v

Efficient Energy-Saving Solution for Heating and Lighting

RECOMMENDATION

DOCUMENTS

Other documents, which may be appropriate for your applications, are available on request.

Code	Identity	Description
X10255	SRA	Safety requirements: Addressing the Low Voltage Directive (LVD) including Thermal Data/Cooling, Live parts warning, Earthing requirements and fusing recommendations
	DoC	Declaration of conformity (relating to purchase order)
P01.1	COS	UAL Conditions of Sale

NOTE: It is recommended that installation and maintenance of this equipment should be carried out by suitably qualified personnel, with reference to the current edition of the I.E.T. Wiring Regulations BS7671. The regulations contain important requirements regarding the safety of electrical equipment.

Electrostatic Discharge (ESD)

This product range has been identified as requiring protection from electrostatic discharge (ESD). They include integrated circuits (IC's) that may be damaged or degraded if mishandled. They are much less vulnerable when built in-circuit and suitable and sufficient precautions are taken when being handled.

To address this matter, when the products are sold separately, they are protected in an ANTI-STATIC polyethylene bag.

Appropriate care should be taken when handling the units for installation.

OPTIONAL EXTRAS

Product Code	Product Description
A-HL-E72C-1	Wall Mounted Patio Heater 1.5kW (no remote)

PRODUCT CODE AND RELATED PRODUCT CODE

Product Code	Product Description
A86601	Infresco T 4kW Controller (Capacitive Touch)



BMF House - Wight Moss Way,
Southport Business Park
Southport PR8 4HQ
ENGLAND

united automation

[@](#) [f](#) [in](#) [d](#) [unitedautomationltd](#) [UA_Limited](#)

