

X10522

Fan Speed Controllers

VAC2-2E

2A, 230v

Fan control enclosed



CONTACT US:

☎ 0044 (0) 1704-516 501

✉ enquiries@united-automation.com

🌐 www.united-automation.com

KEY FEATURES:

- ✓ **Compact Design:** Space-saving and easy to integrate into existing systems.
- ✓ **Solid-State Reliability:** Durable construction for long-lasting performance without mechanical wear.
- ✓ **Adjustable Speed Output:** Fine-tune fan speed to match specific requirements.
- ✓ **Simple Wiring:** Easy installation with minimal wiring complexity.
- ✓ **Internal RFI Filter:** Reduces electromagnetic interference, ensuring stable and efficient operation.

APPLICATIONS:

The VAC2-2E is suitable for controlling most mains AC fans and other inductive loads, making it versatile for use in heating, ventilation, and air conditioning (HVAC) systems across industrial and commercial settings.

The **VAC2-2E Fan Speed Control Module** is a compact, efficient solution designed to regulate fan speed in a wide variety of heating and ventilation systems. Its streamlined installation process requires only two in-line wiring connections to the mains supply, making it an ideal choice for quick and easy setup. The module's fan speed is adjustable via an integrated cermet, providing precise control for your application. Additionally, an internal RC snubber network enhances its performance with inductive fan loads up to 2A, ensuring smooth and reliable operation.

The **VAC2-2E Fan Speed Control Module** is the perfect choice for managing fan speed in HVAC applications, combining ease of installation, precise control, and robust performance in a compact, reliable package.

TECHNICAL SPECIFICATIONS

AC line voltage	230V +/- 10% @ 50/60 Hz
Minimum operating current	200mA
Peak one cycle surge @ 10ms	10A
Unit limiting rms current	2A
Isolation voltage	2kV
Max. peak voltage	600V ac
Leakage current	10mA
Max. operating temperature	65°C
Storage temperature	0 – 65°C



BMF House - Wight Moss Way,
Southport Business Park
Southport PR8 4HQ
ENGLAND

united automation

[@](#) [f](#) [in](#) [d](#) [unitedautomationltd](#) [UA_Limited](#)



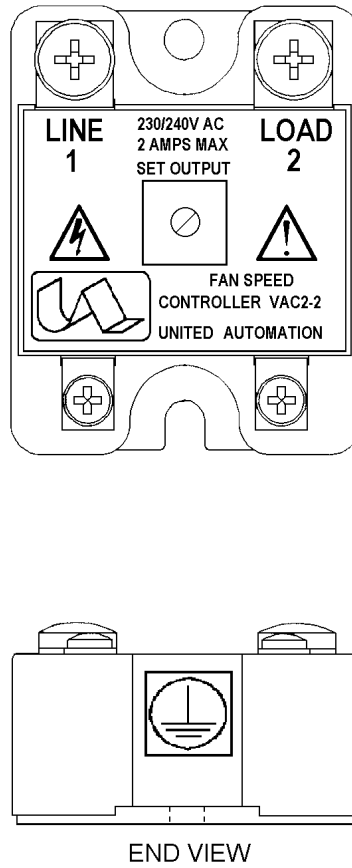
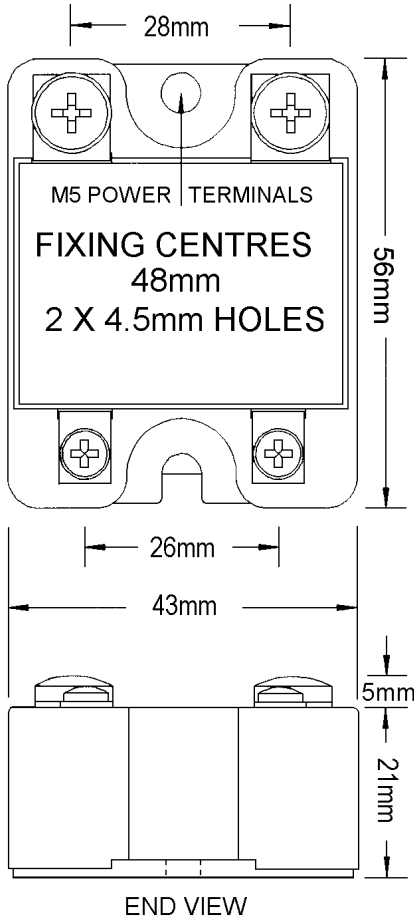
VAC2-2E

2A, 230v

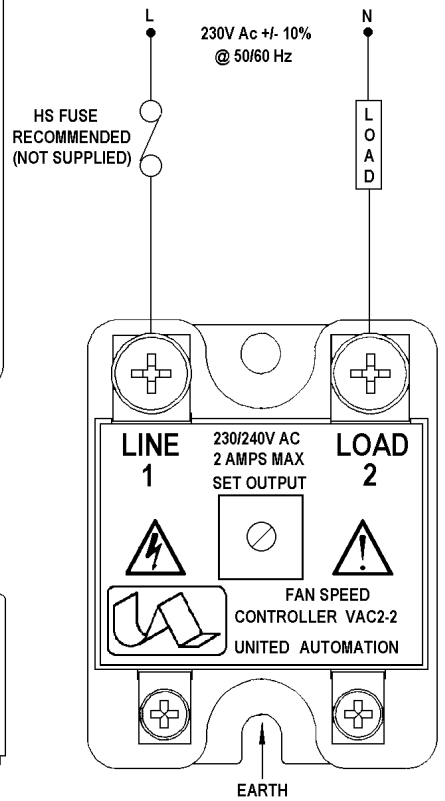
Fan control enclosed

INSTALLATION

DIMENSIONS & CONNECTIONS



NOTE: SWITCH OFF SUPPLY BEFORE COMMENCING ANY SERVICING WORK
THIS UNIT MUST BE EARTHED



BMF House - Wight Moss Way,
Southport Business Park
Southport PR8 4HQ
ENGLAND



VAC2-2E

2A, 230v

Fan control enclosed

RECOMMENDATIONS

FUSING

It is recommended to use semiconductor (fast acting) type fuses or circuit breakers (Semiconductor - MCB) for unit protection. On initial switch on some loads may need an increased Factor of Safety (F of S) for unit and/or device protection. See SRA datasheet for information.

DOCUMENTS

Other documents available on request, which may be appropriate for your application:

Code	Identity	Description
X10229	RFI	Filtering Recommendations: Addressing the EMC Directive
X10213	ITA	Interaction: Uses for phase angle and for burst fire control
X10255	SRA	Safety Requirements: Addressing the Low Voltage Directive (LVD) including Thermal Data/Cooling, Live Parts Warning, Earthing Requirements and Fusing Recommendations
P01.1	COS	UAL Conditions of Sale

It is recommended that installation and maintenance of this equipment should be done with reference to the current edition of the I.E.T. regulations (BS7671) by suitably qualified/trained personnel. The regulations contain important requirements regarding the safety of electrical equipment. For International standards refer STANDARDS on D of C.

OPTIONAL EXTRAS

Product Code	Product Description
A80030	SSR Cover Kit

PRODUCT CODE AND RELATED PRODUCT CODE

Product Code	Product Description
A72110	VAC2-2E-RFI 2A, 230v



BMF House - Wight Moss Way,
Southport Business Park
Southport PR8 4HQ
ENGLAND

united automation

[@](#) [f](#) [in](#) [d](#) unitedautomationltd [x](#) UA_Limited

