

X10212

Variable AC Voltage Regulators

BVR-25 series

25A - 110 / 230V AC

Variable Burst Fired AC Regulator



CONTACT US:

☎ 0044 (0) 1704-516 501

✉ enquiries@united-automation.com

🌐 www.united-automation.com

KEY FEATURES:

- ✓ **Integrated High-Speed Fuse:** Ensures reliable protection and operation.
- ✓ **Built-In Heatsink & Mounting Plate:** Facilitates efficient heat dissipation and easy installation.
- ✓ **Radio Frequency Interference (RFI) Free:** Delivers clean, interference-free operation.
- ✓ **Single-Entry Cable Gland:** Simplifies wiring and installation.
- ✓ **Control Knob and Dial Supplied:** Provides user-friendly control.
- ✓ **110V or 230V Models Available:** Versatile voltage options for various applications.
- ✓ **Variable Duty Cycle Range 1-30s:** Adjustable by duty cycle trimmer for precise control.
- ✓ **Rapid Burst Fire Mode:** Achievable with duty cycle trimmer fully anti-clockwise.

Introducing the **BVR-25 series**, a robust OEM 25A AC energy regulator designed for precise proportional linear manual control of resistive loads.

Utilizing burst fire control, this advanced regulator delivers variable on/off bursts of complete main cycles of energy, aligned with mains zero crossover. Achieving a full 0 to 100% output range, the BVR-25 allows for block bursts with adjustable block lengths, ranging from rapid burst fire mode to a variable duty cycle of 1 to 30 seconds.

The BVR-25 series combines high performance and ease of use, making it a preferred choice for controlling resistive loads in industrial and commercial settings.

TECHNICAL SPECIFICATIONS

| | |
|---------------------------------|----------------------|
| Mains voltage | 110 or 230V AC ± 10% |
| Frequency | 50-60Hz |
| Max. rms load current | 25A |
| Integral Triac | 41A (600v) |
| Main control signal | 220kΩ potentiometer |
| Peak cycle surge | 250A |
| Heatsink | 1.3°C/W |
| Isolation classification | Class II |
| Min. load current | 200mA |
| Isolation voltage | 2500V rms |
| I²t for SCR fusing | 250A² |
| Replacement fuse | 30A 660V SCR type |
| Offstate dv/dt | 500V/μs |
| Max operating temp. | 65°C |
| Storage temp. | 0°C to 65°C |
| Max. cable entry | 2.5mm² |

APPLICATIONS:

The **BVR-25 series** is ideal for a wide array of resistance heaters including: ovens, electric furnaces, moulders, dryers, smelters, heating tapes, stress-relieving equipment, space heating, and heating mantles.

Please note, this unit is not suitable for lighting and inductive loads.



BMF House - Wight Moss Way,
Southport Business Park
Southport PR8 4HQ
ENGLAND

united automation

unitedautomationltd UA_Limited

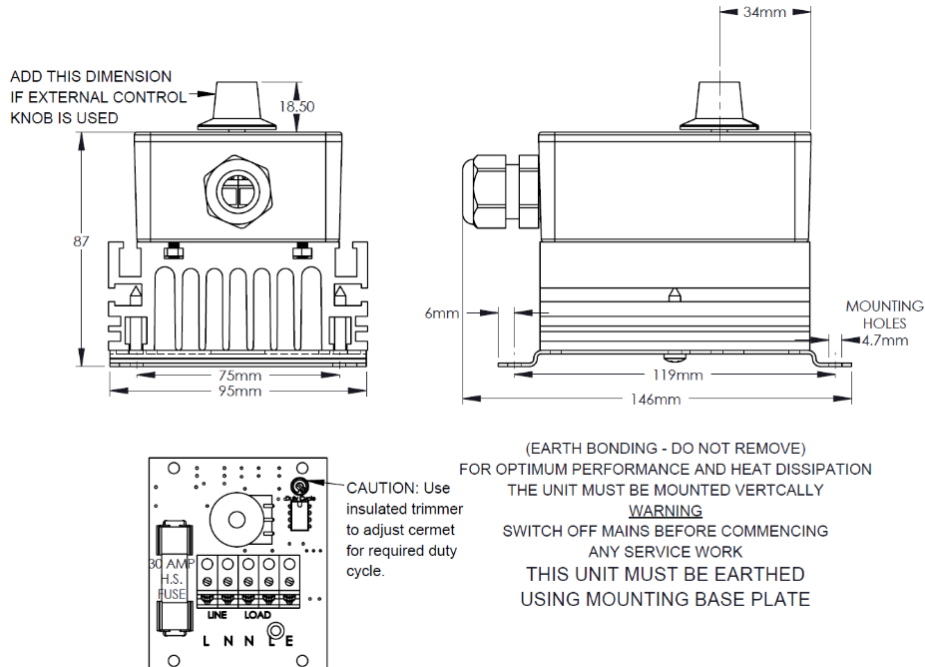


BVR-25 series

25A - 110 / 230V AC Variable Burst Fired AC Regulator

INSTALLATION

DIMENSIONS & CONNECTIONS



BMF House - Wight Moss Way,
Southport Business Park
Southport PR8 4HQ
ENGLAND

united automation

@unitedautomationLtd UA_Limited



BVR-25 series

25A - 110 / 230V AC

Variable Burst Fired AC Regulator

FUSING

A semiconductor (fast-acting) type fuse (stock code F11307) is supplied as standard for unit protection. On initial 'switch on' some loads may need an increased Factor of Safety (F of S) for unit and/or device protection. For spares or replacements contact our sales desk.

CE Marking

This product family carries a "CE" marking and incorporates a filter. For more information see recommendations section and contact our sales desk, see Declaration of Conformity.

RECOMMENDATIONS

DOCUMENTS

Other documents available on request, which may be appropriate for your application:

| Code | Identity | Description |
|--------|----------|---|
| X10213 | ITA | Interaction: Uses for phase angle and for burst fire control |
| X10255 | SRA | Safety Requirements: Addressing the Low Voltage Directive (LVD) including, Thermal Data/Cooling, Live Parts Warning, Earthing Requirements and Fusing Recommendations |
| P01.1 | COS | UAL Conditions of Sale |

It is recommended that installation and maintenance of this equipment should be done with reference to the current edition of the I.E.T. regulations (BS7671) by suitably qualified/trained personnel. The regulations contain important requirements regarding the safety of electrical equipment. For International standards refer STANDARDS on D of C.

OPTIONAL EXTRAS

| Product Code | Product Description |
|--------------|---|
| N30001 | Control Knob RN-113B |
| F11307 | Fuse, 30A, 660V HS (SCR type) ferrule fuse (Ø 10mm x 38mm long) |
| L60015 | Dial Type |

PRODUCT CODE AND RELATED PRODUCT CODE

| Product Code | Product Description |
|--------------|--|
| A28211 | BVR-25 series 25A 230VAC Burst Firing AC Regulator |
| A28111 | BVR-25 series 25A 110VAC Burst Firing AC Regulator |



united
automation

BMF House - Wight Moss Way,
Southport Business Park
Southport PR8 4HQ
ENGLAND

unitedautomationltd UA_Limited

