

X10845

Components and Spares



# CONTROL KNOB

RN-113B

Line Indicator Control Knob



## CONTACT US:

☎ 0044 (0) 1704-516 501

✉ [enquiries@united-automation.com](mailto:enquiries@united-automation.com)

🌐 [www.united-automation.com](http://www.united-automation.com)

## KEY FEATURES:

- ✓ **Ideal size** for comfortable grip and accurate adjustments.
- ✓ **Material:** Phenolic.
- ✓ **Spun Aluminium Skirt:** Adds a touch of elegance and durability.
- ✓ **Line Indicator:** Provides visual guidance for precise settings.
- ✓ **Grub Screw Fixing:** Securely fits 6.35mm (0.25in) spindles for a stable operation.
- ✓ **RoHS Compliant:** Meets high environmental and safety standards.

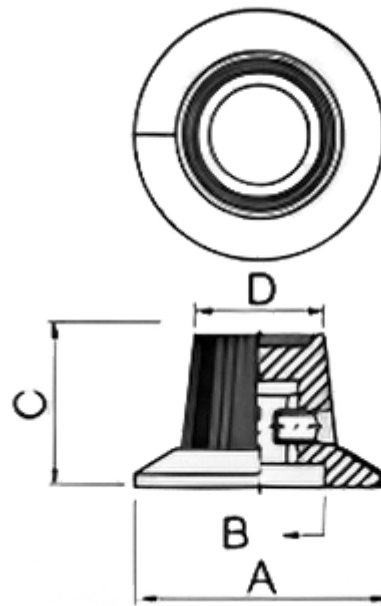
Elevate your equipment's functionality with the RN-113B Line Indicator Control Knob. Designed for impeccable precision, this black control knob is engineered with a sleek spun aluminium skirt and a clear inlay for line indication. Its robust construction and intuitive design make it the ideal solution for precise control of your power applications.

## TECHNICAL SPECIFICATIONS

A	B	C	D	SHAFT HOLE
ø 29.2mm	ø 16.4mm	18.1mm	ø 15.0mm	ø 6.4mm

## APPLICATIONS:

- Suitable replacement for Catering Heater controllers, Variable AC Voltage Regulators, Fan Speed Controllers, Temperature Controllers, Audio Equipment Calibration, Lighting Controls, Machinery and Instrumentation.



## PRODUCT CODE AND RELATED PRODUCT CODE

### CONTROL KNOB

Product Code	Product Description
N30001	CONTROL KNOB RN-113B



BMF House - Wight Moss Way,  
Southport Business Park  
Southport PR8 4HQ  
ENGLAND

united automation unitedautomationltd UA\_Limited

